



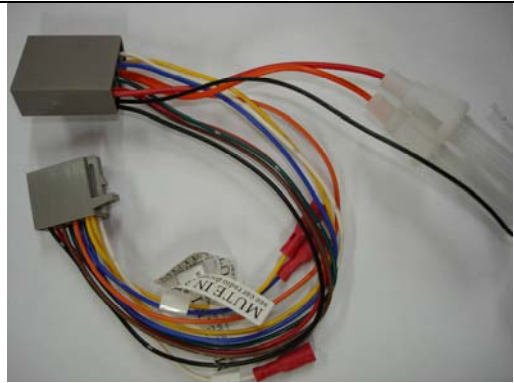
Wiring for DAF cars With ISO Connectors

Car's models :

- 45
- 55
- 65
- 85 > 1996
- 95 > 1996
- CF > 1995
- LF > 1995
- XF > 1995


Car kit Parrot Battery

Pin Number		Couleur	Description
1		White	Mute In 1
2		Yellow	Mute In 2
3		Blue	Mute In 3
4		Orange	+ 12V Memory
5		Green	
6		Brown	
7		Red	+ 12 V Permanent
8		Black	Masse



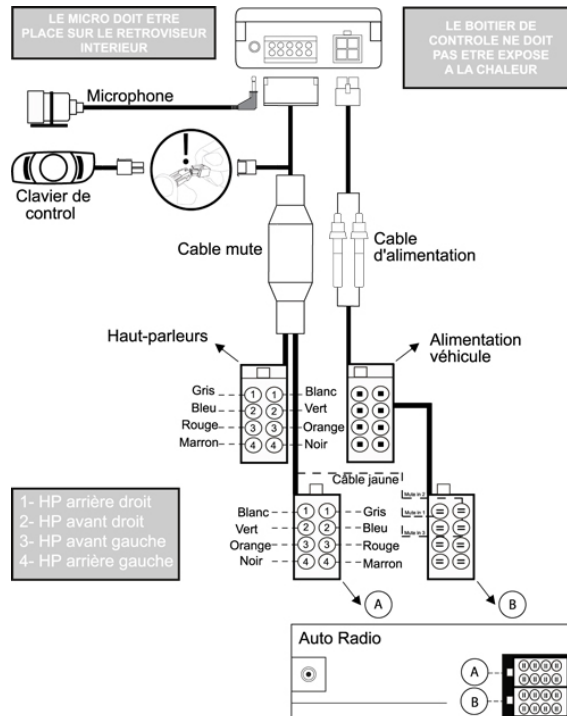
Car kit Parrot, car's speakers

Pin Number		Couleur	Description
1		Grey	Rear right speaker +
2		White	Rear right speaker -
3		Blue	Front right speaker +
4		Green	Front right speaker -
5		Red	Front left speaker +
6		Orange	Front left speaker -
7		Bronw	Rear left speaker +
8		Black	Rear left speaker -

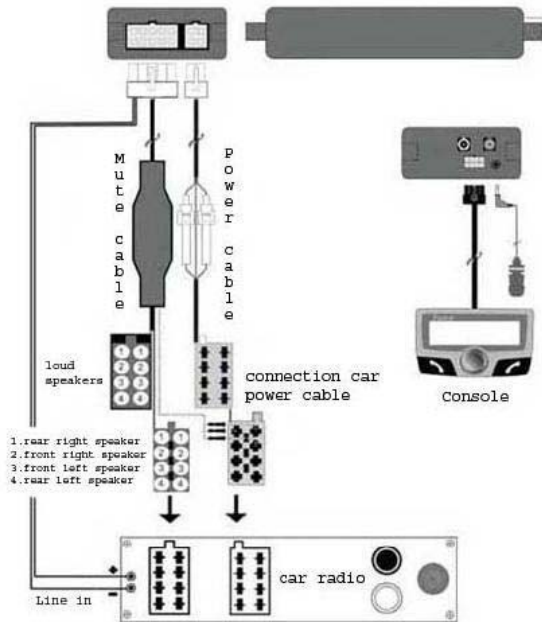




Mounting Procedure for CK3000 Evolution



Mounting Procedure for CK3100



Mute cable of the ck3X00:
male and female (you connect to the autoradio and the tweeters)

Black, Brown : Rear right loudspeaker
Orange, Red : Front left loudspeaker

Green, blue : Front right loudspeaker
White, grey : Rear right loudspeaker

The pin connector of the mute cable to the black box:
Black : Grounded
Blue : Mute
Yellow : 12 volt (ignition); Not a constant DC source

White : line out -
Red : line out +

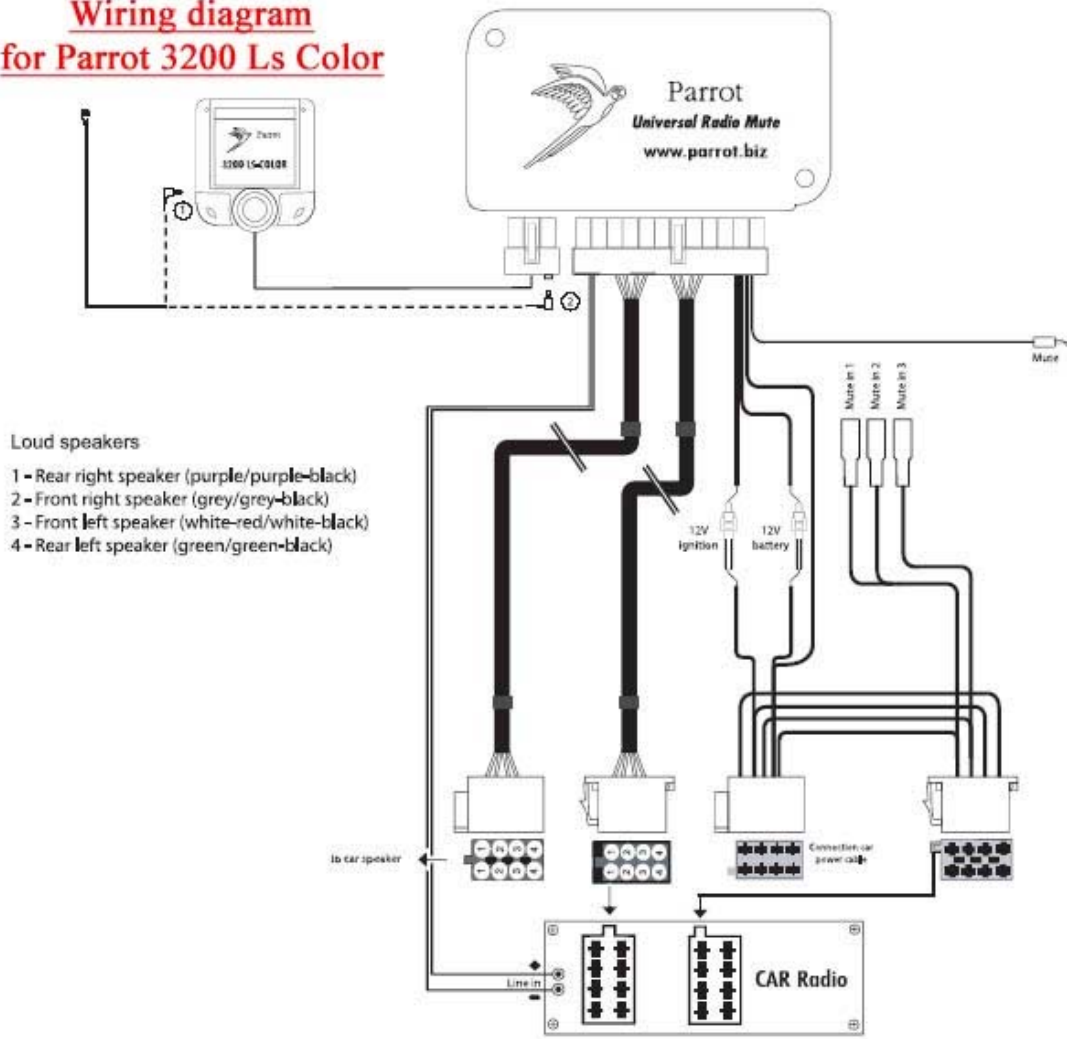
The green line + and the brown line - for the install when you can't fit the car kit directly to the tweeters (optic fiber, amplifier). The radio must have the capability of directly connecting line outs.

Same mounting procedure for CK3300, CK3500



Mounting Procedure for Parrot 3200 Ls Color

Wiring diagram for Parrot 3200 Ls Color



Same mounting procedure for Parrot 3400 Ls GPS